



# POWER SUPPLIES

## FUNCTIONAL DEVICES ENCLOSED 24 VAC CLASS 2 POWER SOURCE

### PSH SERIES

#### DESCRIPTION

The **PSH Series** power sources from Functional Devices include one or two transformers, pre-packaged in a metal enclosure. The transformers are available in 40VA, 75VA and 100VA sizes. A switch/circuit breaker is provided for switching the output of each transformer. An optional switch/circuit breaker is available for controlling power to the entire unit. Other handy features include an LED to indicate the presence of 24VAC at the Class 2 output terminals or wires, an internal high-voltage wiring compartment, and two optional 120VAC grounded convenience outlets.



**PSH,  
Single Transformer  
Model with Options**



**PSH,  
Two Transformer Model  
with Options**

#### FEATURES

- One or two transformers in pre-packaged metal enclosure
- 40, 75 and 100 VA Class 2 transformers
- Output switch/circuit breaker and LED indication
- Optional primary switch/circuit breaker
- Optional 120 VAC convenience outlets
- To order UL508 add 1C to the end



#### SPECIFICATIONS

<b>Supply Voltage</b>	120 VAC, 50/60 Hz, 120 VAC, 50/60 Hz (40 VA), 480/277/240/208/120 VAC 50/60 Hz (75VA) , 480/277/240/208/120 VAC 50/60 Hz (100 VA)
<b>Output Voltage</b>	Class 2
<b>PSH40A</b>	24 VAC, 40VA
<b>PSH75A</b>	24 VAC, 75VA
<b>PSH100A</b>	24 VAC, 100VA
<b>PSH40A40A</b>	Dual 40 24 VAC, 40 VA
<b>PSH40A75A</b>	Dual 24 VAC, 40VA and 75 VA
<b>PSH40A100A</b>	Dual 24 VAC, 40VA and 100 VA
<b>PSH75A75A</b>	Dual 24 VAC, 75 VA
<b>PSH75A100A</b>	Dual 24 VAC, 75VA and 100VA
<b>PSH100A100A</b>	Dual 24 VAC, 100VA

#### Note for dual power supplies:

Output derating may exceed 20% due to elevated ambient temperature or heat buildup in device over time

**Input Control** Combination on/off switch and 10A circuit breaker

**Convenience Outlet** 120 VAC, 15A maximum.

**Output Control** Combination of on/off switch and circuit breaker. Controls 24 VAC output only.

**Output Indication** Red LED, one for each 24 VAC output

#### Dimensions

**Single Transformer Models**

4.50"H x 8.25"W x 4.50"D  
(11.4 x 20.96 x 11.4 cm)

**Two Transformer Models**

4.50"H x 8.25"W x 4.50"D  
(11.4 x 20.96 x 11.4 cm)

#### Weight

<b>PSH40A</b>	3.1 lb (1.41 Kg)
<b>PSH75A</b>	4.5 lb (2.04 Kg)
<b>PSH100A</b>	4.6 lb (2.09 Kg)
<b>PSH40A40A</b>	5.4 lb (2.45 Kg)
<b>PSH40A75A</b>	6.8 lb (3.09 Kg)
<b>PSH40A100A</b>	6.9 lb (3.13 Kg)
<b>PSH75A75A</b>	8.4 lb (3.86 Kg)
<b>PSH75A100A</b>	8.5 lb (3.86 Kg)
<b>PSH100A100A</b>	8.6 lb (3.90 Kg)

**Approvals** UL, Class 2, UL916, File E190394  
CE, RoHS

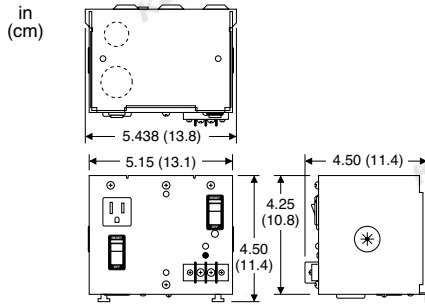
**Warranty** 1 Year

# POWER SUPPLIES

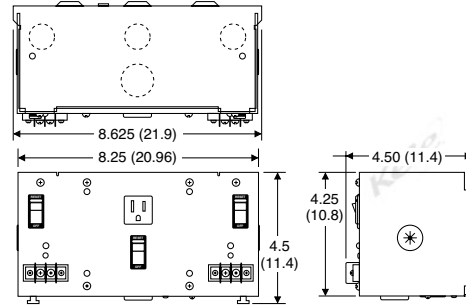
## FUNCTIONAL DEVICES ENCLOSED 24 VAC CLASS 2 POWER SOURCE PSH SERIES



### DIMENSIONS



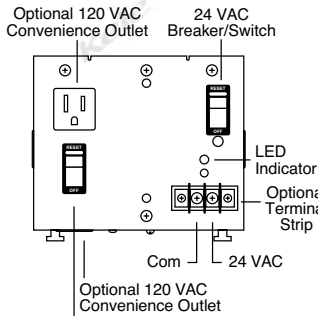
**Single Transformer Models**  
(PSH40A, PSH75A, PSH100A)



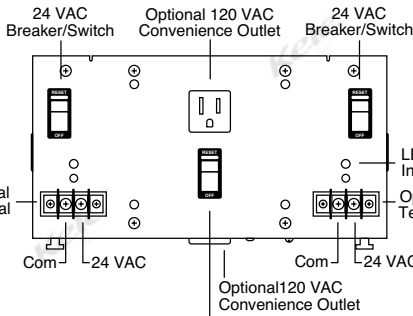
**Two Transformer Models**  
(PSH40A40A, PSH40A75A, PSH40A100A,  
PSH75A75A, PSH75A100A, PSH100A100A)

### WIRING

#### Single Transformer



#### Dual Transformer



**INPUT:**  
**Transformer Primary Wires**  
**40 VA or 100 VA**  
Black: 120 VAC  
White: Common  
**75 VA**

**“B10” Option Models Only**  
**40 VA, 75 VA, or 100 VA**  
Black: 120 VAC  
White: Neutral  
Green: Ground

**OUTPUT:**  
**Models with Terminals**  
HOT: 24 VAC  
COM: Common

**“W” Option Models**  
Internal Leads\*\*  
Yellow/White: 24 VAC  
White/Blue: Common

**“B10” Option Models**  
Internal Leads\*\*  
Blue: 120 VAC  
auxiliary output

Gray: 480 VAC  
Brown: 277 VAC  
Orange: 240 VAC  
Red: 208 VAC  
White: 120 VAC  
Black: Common

**“EXT2” Option Models Only**  
AC Power Supply Cord

Optional B10 10A Main Power Breaker/Switch

Optional B10 10A Main Power Breaker/Switch

\*Output derating may exceed 20% due to elevated ambient temperature or heat buildup in device over time.

\*\*Remove cover to wire to flying leads.

### ORDERING INFORMATION

MODEL	DESCRIPTION
<b>PSH75A</b>	Enclosed single 75 VA power source, 480/277/240/208/120 to 24 VAC
<b>PSH100A</b>	Enclosed single 100 VA power source, 120 to 24 VAC
<b>PSH75A75A</b>	Enclosed dual 75 VA power sources, 480/277/240/208/120 to 24 VAC
<b>PSH75A100A</b>	Enclosed dual (75 VA, 480/277/240/208/120 to 24 VAC and 100 VA, 120 to 24 VAC sources)
<b>PSH100A100A</b>	Enclosed dual 100 VA power sources, 120 to 24 VAC
<b>OPTIONS</b>	
-	External secondary terminals, 120 VAC convenience outlets***
<b>N</b>	External secondary terminals, without 120 VAC convenience outlets
<b>W</b>	Internal 24 VAC secondary flying lead wires, 120 VAC convenience outlets***
<b>NW</b>	Internal 24 VAC secondary flying lead wires, without 120 VAC convenience outlets
-	Without 10A main power switch/breaker and without 120 VAC auxiliary output wire
<b>B10</b>	10A main power switch/breaker and Internal 120 VAC Flying Lead auxiliary output wires (75 VA transformers are 120 VAC input only with “B10” option)
<b>EXT2</b>	With 36” power cord and 3 prong plug

\*\*\* Multi-tap input (75A), other than 120 VAC, will disable convenience outlet

**TRM0018-K**

### ACCESSORIES

Terminal Block Cover (Replacement)